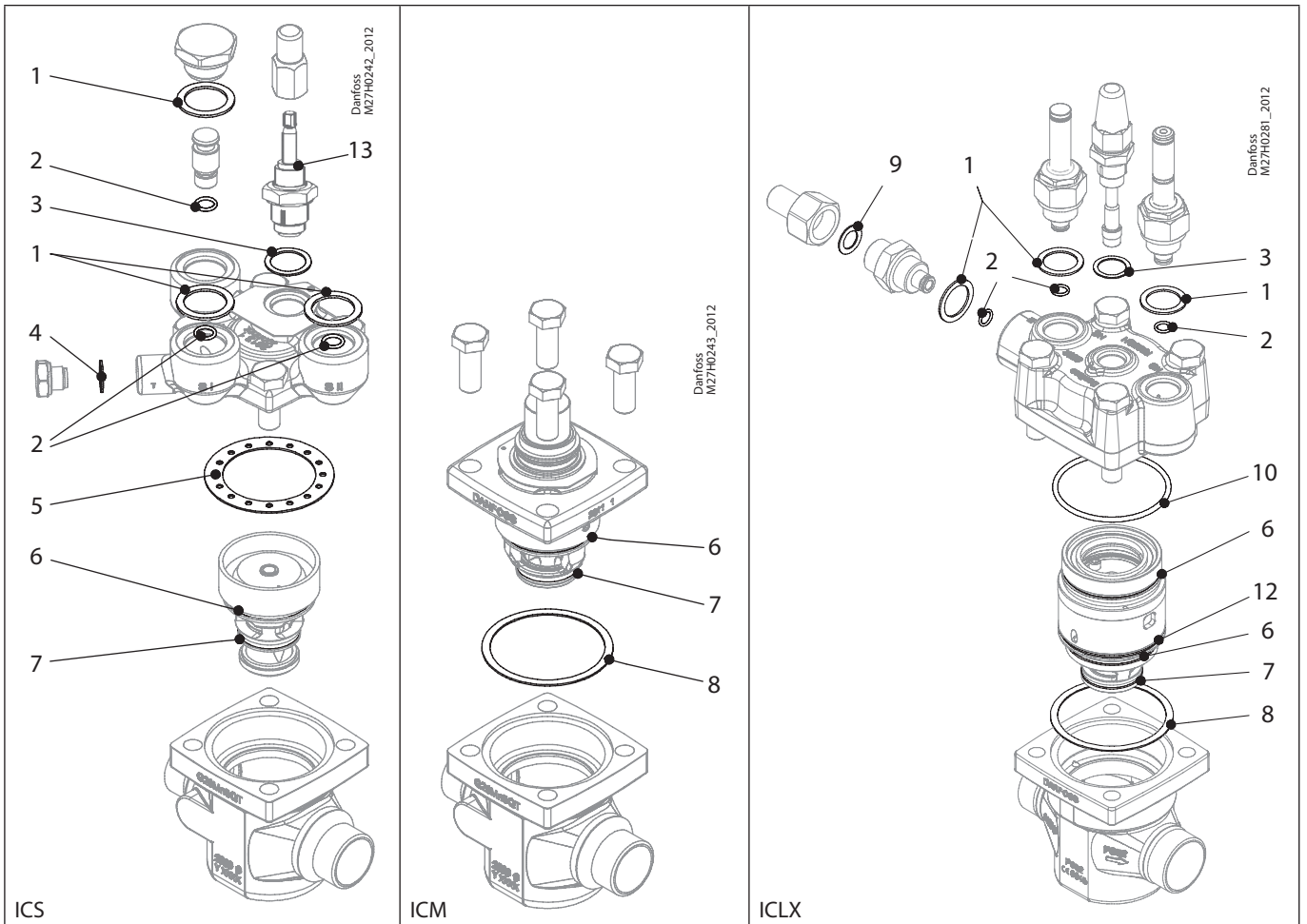


Installation guide – Spare parts and accessories

Inspection kit | Code number 027H4014  
ICS, size 40 (1-3) / ICM, size 40 / ICLX, size 40



<p><b>1</b>  = Fibre</p> <p>Total no. = 3</p>	<p><b>2</b> </p> <p>Total no. = 3</p>	<p><b>3</b>  = Alu.</p> <p>Total no. = 1</p>	<p><b>4</b>  = Alu.</p> <p>Total no. = 1</p>	<p><b>5</b>  = Fibre</p> <p>Total no. = 1</p>
<p><b>6</b> </p> <p>Total no. = 2</p>	<p><b>7</b> </p> <p>Total no. = 1</p>	<p><b>8</b>  = Fibre</p> <p>Total no. = 1</p>	<p><b>9</b>  = Alu.</p> <p>Total no. = 1</p>	<p><b>10</b> </p> <p>Total no. = 1</p>
<p><b>12</b> </p> <p>Total no. = 1</p>	<p><b>13</b> </p> <p>Total no. = 1</p>			