

DESIGN-GC-R744-AC-[2.1]-ALPLUS-49036428

Duty Mode: DESIGN

Application	Product Type	Calculation Date	
Gas Cooler	AlfaBlue (NEW)	16/11/2021	
Selection			
Unit		BXS8S 2112-4 Radial_EC 7 V	
Options		SW/GSP/CB	
General ⁽⁵⁾			
Required Capacity [kW]	52,00	Calculated Capacity [kW]	50,25
Margin [%]	-3,4		
Thermal Data			
Air In Temperature [°C]	35,0	Fluid	R744
Air Out Temperature [°C]	46,0	Pressure Drop [kPa]	104,0
Gas Flow [kg/h]	788,40	Gas Inlet Pressure [bar]	95,0
Gas Inlet Temperature [°C]	119,0	Gas Outlet Temperature [°C]	37,0
Fan Data			
Fan Type	Radial EC - 30350393	Air Flow [m ³ /h]	14057
Number of fans	1	Fan Diameter [mm]	630
Air Velocity [m/s]	2,2	Rotation Speed [rpm]	1200
Total Nominal Power [W]	2800	Sound Pressure Level [dB(A)] ⁽⁴⁾	48
Total Nominal Current [A] ⁽³⁾	4,4	Sound Power Level [dB(A)]	80
Voltage	400V	Min Working Temperature [°C]	0,0
Phase	T	Max Working Temperature [°C]	60,0
Frequency [Hz]	50	ErP 2015	Yes
Distance [m]	10,00	Connection	Y
External Static Pressure [Pa]	200	Fan installation	Airflow Horizontal
Coil Data			
Fin Material	Aluplus	Fin Spacing [mm]	2,1
Number Of Circuits	7	Surface [m ²]	136,3
Internal Volume [l]	12,0	Connections Size (In-Out)	1x22mm-1x22mm
Connection Side	Same	Design Pressure [bar]	130
Casing&Frame			
Casing Material	Galvanized Steel Painted RAL9003		
Dimensions ⁽²⁾			
Length [mm]	2090	Depth [mm]	905
Height [mm]	1600	Unit Weight [kg]	273
Configuration IDs			
Coil Configuration	ALPLUS/2.1/1x22mm-1x22mm/S		
Fan Configuration	V/30350393/Y		
Options Configuration	SW/GSP/CB		

Value Summary		
Description	Kit Code	
Sockring adapter		
Fan - Radial EC 30350393 - 1200 rpm - 400V - 50 Hz		
Fin pack - Aluplus - 2,1 mm		
Casing Material - Galvanized Steel Painted RAL9003		
Safety Switch - Standard		
Wiring Config Type		
Connection Box - Connection Box	CABL	

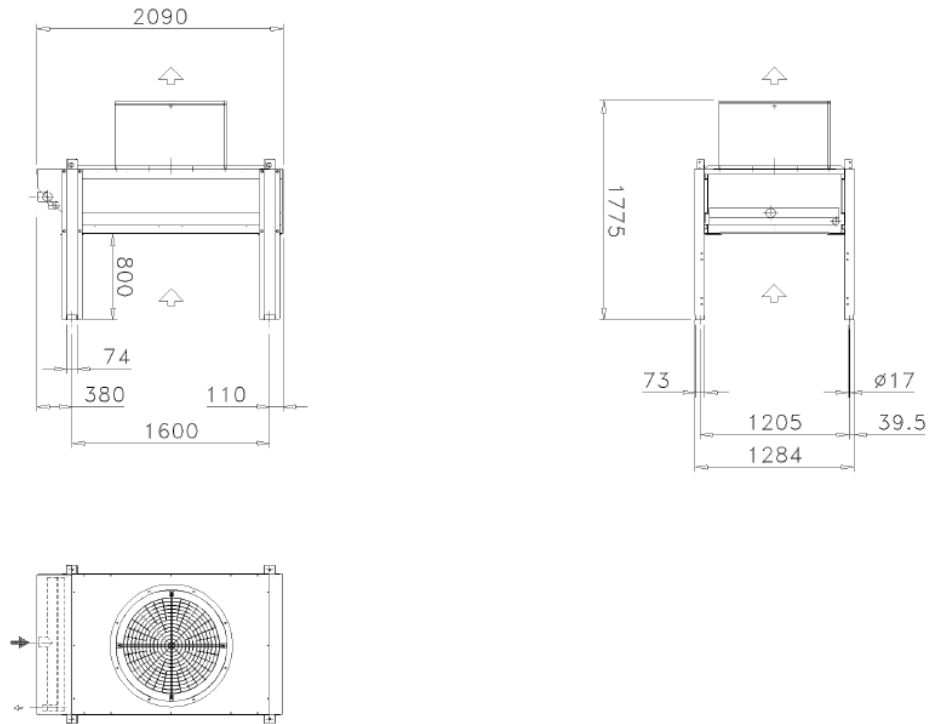
Notes



- 2 Dimensions and weight are not valid for all available options. Drawings are only preliminary, indicative and without accessories.
- 3 Total nominal current at $T_{air}=20^{\circ}C$ (68°F). Variation could occur due to different voltage or air temperature.
- 4 By using the enveloping surface method according to EN 13487
- 5 LU-VE S.p.A. reserves the right to modify and correct at any time, with or without notice, the specifications and prices listed in the software. Options not specified in the "Value Summary" table are not included in the offer.

Calculation Engines

Item ID

HSP	0.1.0.10	49036428
LuveGasCool	1.0.3.16	



Date	17/12/2014	Type: RAD63V 2112 HA
Scale	1:40	Code: 10154383
		

Standard unit without accessories. For the connections please refer to the data sheet.