

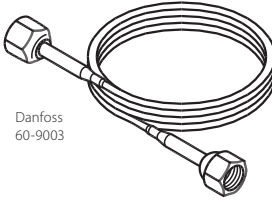
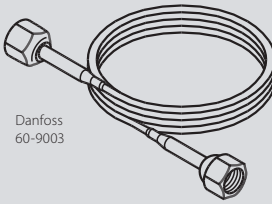
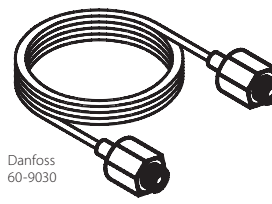
Spare parts and accessories

Pressure control

Type KP

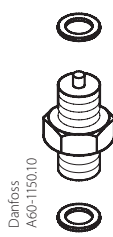

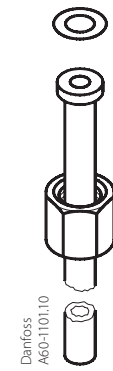

Description	Qty.	Code no.
<p>Danfoss 60-1059 Danfoss 60-1060</p>	Front cover for single control	1 060-008666
	Front cover for dual control	1 060-011366
<p>Danfoss 60-8021</p> <p>Danfoss 60-8022</p>	Top cover for single control	060-109766
	Top plate	1
	Screw	2
	Top cover for dual control	060-109866
Top plate	1	
Screw	2	
<p>Danfoss 60-888 Danfoss A60-889.11</p>	Protective cap for single control	1 060-003166
	Protective cap for dual control	1 060-003266
<p>Danfoss 60-1301.10</p>	IP55 Enclosure for single control	1 060-033066
<p>Danfoss 60-1302.10</p>	IP55 Enclosure for dual control	1 060-035066
<p>Danfoss 60-9002 Danfoss 60-1064</p>	Wall bracket	060-105566
	Bracket	1
	Screw, M4 x 6	4
Washer	4	

Description	Qty.	Code no.
<p>Danfoss 60-1064 Danfoss 60-9045</p>	Angle bracket	060-105666
	Bracket	1
	Screw, M4 x 6	4
Washer	4	
<p>Danfoss 60-890</p>	Locking plate with screw	060-018966
	Plate (1)	1
	Screw (2)	1
	Seal screw for locking plate	2 060-105766
<p>Danfoss A60-236.13</p>	Seal screw for locking plate	2 060-105766
	Screwed cable entry, Pg 13.5	060-105966
	Cable entry	1
Nut	1	
<p>Danfoss 60-1065</p>	Screwed cable entry, Pg 13.5	060-105966
Cable entry	1	
Nut	1	

Description		Code no. Multi pack	Code no. Industrial pack
Capillary tube, copper ¼ in. or 6 mm flare nut  Danfoss 60-9003	21 mm tube "tail"		
	0.5 m	—	060-019066 ¹⁾
	1.0 m	060-004866	060-019166 ¹⁾
	1.5 m	—	060-019266 ¹⁾
	2.0 m	060-016366	060-019366 ¹⁾
	50 mm tube "tail"		
	0.5 m	—	060-007066 ¹⁾
	1.0 m	060-017166	060-007166 ²⁾
	1.5 m	—	060-007266 ¹⁾
	with Schraeder valve opener		
0.5 m	—	060-000466 ¹⁾	
1.0 m	—	060-000566 ¹⁾	
Capillary tube, steel not for NH ₃  Danfoss 60-9003	¼ in. or 6 mm flare nut		
	1.0 m	060-016766	—
	1.5 m	060-016866	—
Capillary tube, steel for NH ₃  Danfoss 60-9030	M10 × 0.75		
	1.0 m	060-007866	—
	G ¾ and M10 × 0.75		
1.0 m	060-008266	—	

¹⁾ 50 pcs.

²⁾ 40 pcs.

Description	Qty.	Code no.
 Danfoss A60-1150.10	Nipple M10 × 0.75 / G ¼ A 060-010466	
	Nipple	1
	Alu gasket	2
 Danfoss A60-1102.10	1	060B121066
 Danfoss A60-1101.10	Weld nipple M10 × 0.75 for NH ₃ 060-005766	
	Union	1
	Nipple, OD 6 mm × 150 mm	1
	Alu gasket	1
 Danfoss 11L9002	2	060-104866