

## Data Sheet

Display  
Type **MBD 1000**

For pressure/temperature transmitters with output 4-20 mA



A plug-in display that can be universally applied to all MBS, AKS and MBT transmitters with a 4–20 mA output and a plug connection according to EN 175301-803-A.

The MBD 1000 is simply inserted between the transmitter and its connector by means of the integral DIN cubic plug adaptor.

Measurement range, decimal point and filtering can be comfortably adjusted with 3 push-button keys after removal of the front cover.

The display provides a simple and effective solution for local monitoring of pressure and temperature.

**Features**

- Polarity protected
- No auxiliary energy source required
- Can be tilted to any position
- High accuracy and minimal temperature drift
- Easy installation
- Displaying transmitter output
- CE approved

**Product specification**

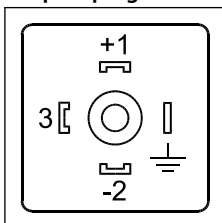
**Technical specifications**

**Table 1: Performance (EN 60770)**

Input signal	4–20 mA (2-wire)
Max. allowed input current	40 mA
Reverse voltage protection	Polarized installation
Voltage drop	Approx. 3 V
Display	10 mm high LCD-display
Display range	Start and end value freely programmable
Maximum display value	9999
Minimum display value	-1999
Decimal point	Any position
Measuring accuracy	0.2% ± 1 digit
Temperature drift	100 ppm / °C
Measuring interval	Approx. 3 measurements / sec.
Filtering	Selectable in 3 stages
Nominal temperature	25 °C
Ambient temperature	0 – 50 °C
Humidity	0 – 80% RH (non condensing)
Electromagnetic compatibility additional error	According to EN61000-6-2 and EN61000-6-3 < 1%
Housing Dimensions	ABS. Front screen made of polycarbonate 48.5 x 48.5 x 35.5 mm (L x W x D)
Electrical connection	EN 175301-803-A
IP rating	IP65

**Electrical connection**

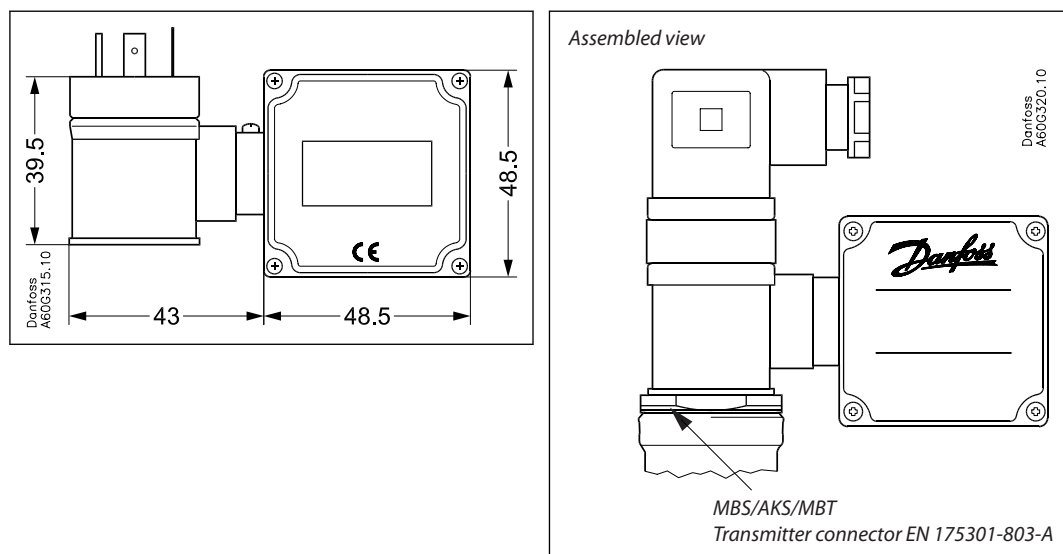
**Figure 1: 4-pin adaptor plug**



Pin assignment of 4-pin adaptor plug according to EN 175301-803-A

Pin	
1	Supply +
2	Supply –
3	NC
⏏	Connection to transmitter housing

## Dimensions



## Ordering

Type	Code no.
MBD 1000	<b>060G2850</b>

## Certificates, declarations, and approvals

The list contains all certificates, declarations, and approvals for this product type. Individual code number may have some or all of these approvals, and certain local approvals may not appear on the list.

Some approvals may change over time. You can check the most current status at [danfoss.com](http://danfoss.com) or contact your local Danfoss representative if you have any questions.

**Table 2: Certificates and declarations**

File name	Document type	Document topic	Approval authority
EAC RU Д-ДК.А187.В.00022_19	EAC Declaration	EMC	EAC
063R3159.01	EU Declaration	EMCD/ROHS	Danfoss
UA.10146.D.00070-19	UA Declaration	EMCD/LVD	LLC CDC EURO TYSK
060R3161.00	Manufacturers Declaration	China RoHS	Danfoss

## Online support

Danfoss offers a wide range of support along with our products, including digital product information, software, mobile apps, and expert guidance. See the possibilities below.

### The Danfoss Product Store



The Danfoss Product Store is your one-stop shop for everything product related—no matter where you are in the world or what area of the cooling industry you work in. Get quick access to essential information like product specs, code numbers, technical documentation, certifications, accessories, and more.

Start browsing at [store.danfoss.com](https://store.danfoss.com).

### Find technical documentation



Find the technical documentation you need to get your project up and running. Get direct access to our official collection of data sheets, certificates and declarations, manuals and guides, 3D models and drawings, case stories, brochures, and much more.

Start searching now at [www.danfoss.com/en/service-and-support/documentation](https://www.danfoss.com/en/service-and-support/documentation).

### Danfoss Learning



Danfoss Learning is a free online learning platform. It features courses and materials specifically designed to help engineers, installers, service technicians, and wholesalers better understand the products, applications, industry topics, and trends that will help you do your job better.

Create your Danfoss Learning account for free at [www.danfoss.com/en/service-and-support/learning](https://www.danfoss.com/en/service-and-support/learning).

### Get local information and support



Local Danfoss websites are the main sources for help and information about our company and products. Find product availability, get the latest regional news, or connect with a nearby expert—all in your own language.

Find your local Danfoss website here: [www.danfoss.com/en/choose-region](https://www.danfoss.com/en/choose-region).

### Spare Parts



Get access to the Danfoss spare parts and service kit catalog right from your smartphone. The app contains a wide range of components for air conditioning and refrigeration applications, such as valves, strainers, pressure switches, and sensors.

Download the Spare Parts app for free at [www.danfoss.com/en/service-and-support/downloads](https://www.danfoss.com/en/service-and-support/downloads).