

**Gewässer
Umwelt
Schutz**
GmbH



CUW Oil protector

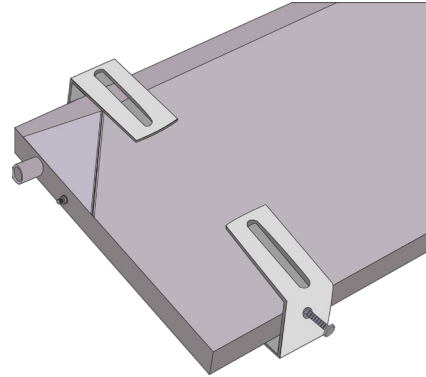
Assembly instructions

Foreword

Always study this assembly instruction manual before Installation and initial operation. This assembly instruction manual is part of the CUW Oil protector and should be stored close to the device.

We reserve the right to amend this document.

Any liability for errors and misprints of this document is excluded. November 2017



Content

- 3 Product overview
- 4 Notes on safety
- 5 Description
- 6 Contents of delivery CUW
Oil protector 1 - 10
- 8 Assembly instructions CUW Oil protector
with wall bracket
- 10 Assembly instructions CUW Oil protector
with floor bracket
- 14 Service & maintenance, warning notices and
leakages

Product overview

Standard size	L x B x H (mm)	Oil quantity (Ltr.)
CUW 1 S	320 x 900 x 35	1,19
CUW 2	400 x 950 x 35	1,52
CUW 3	500 x 1150 x 35	2,30
CUW 4	850 x 1140 x 35	3,87
CUW 5	930 x 1140 x 35	4,24
CUW 6	780 x 1500 x 35	4,68
CUW 7	1200 x 1500 x 35	5,40
CUW 8	850 x 1430 x 35	4,90
CUW 9	590 x 1250 x 35	3,00
CUW 10	850 x 1750 x 35	5,80

Contents of delivery:

Standard sizes include 4 stainless steel carriers and 2 locking screws!

Special sizes:

- CUW-S, according to your requirements

Accessory options:

- Leaf protection grating
- Heating kit with heating mats and heating thermostat HEITHER 2.0 (heating requirement) for operation of heat pump
- Platform to be set up in Oil protector

Material: stainless steel 1.4301

Process: Welding according to DIN EN ISO 9606-1

Notes on safety

Always read the manual before initial operation. It contains vital and important tips and references to avert danger to people as well as equipment. Disregarding the operating manual can lead to endanger-

ment of individuals, the environment and damage to the unit. We reject liability for neglectful operation.

Please note:

- Keep this manual in close proximity to the unit.
- Setup and assembly of CUW Oil protectors and components to be carried out by qualified professionals only.
- Setup, connection and operation of CUW Oil protectors and components to be operated for its intended purpose according to this instruction as well as in accordance with local rules and regulations.
- The condensation pan must be earthed.
- Alterations and modifications to our product and its components are prohibited and can lead to failure or malfunction.
- Do not operate CUW Oil protector and components in areas with high risk of damage. Specified minimum clearances are to be observed.
- Safe operation of Protector and components can only be guaranteed for properly assembled devices and use as intended by the manufacturer. Safety systems may not be modified or bypassed.
- Do not operate damaged or faulty CUW Oil protectors or components.
- Protectors and components require a minimum clearance to flammable, explosives, combustibles, aggressive substances or environments. Assembly, repair and service only to be carried out by authorised qualified professionals. Visual inspection and cleaning may be carried out by operator.
- Appropriate measures to be taken to avert danger to individuals while assembling, repairing, servicing or cleaning CUW Oil protector.

Recycling

Disposal and packaging

All products are carefully packaged to withstand transport damage. Please recycle all packaging material according to your countries waste management guidelines.

Warranty

Warranty conditions are outlined in our „Allgemeine Geschäfts- und Lieferbedingungen“ (General terms and conditions). Please contact your local Distributor.



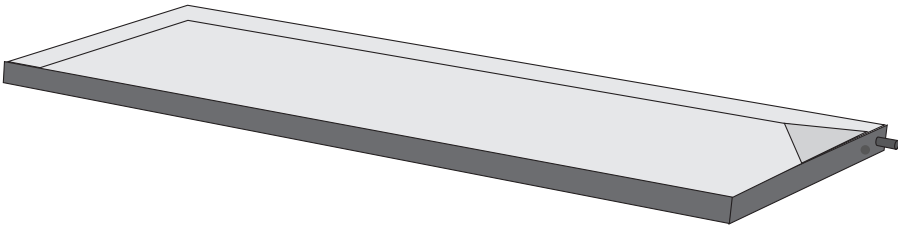
Description

The handling of material endangering water resources is regulated in the Federal water act and the German „Anlagenverordnung“. Our CUW Oil protector is manufactured from high grade stainless steel and is in full compliance with those regulations.

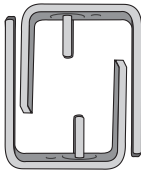
In the event of leakage, escaping oil and glycol (water hazard class one till three, according to legal requirements) will be prevented from escaping to the surrounding environment. CUW Oil protector with its integrated oil separator is designed to withstand the most extreme precipitation events ever recorded in Germany. It will safely drain the liquids away without spilling, thereby preventing overflow.

Ten standard sizes are available to ensure short term delivery for all common Split and VRF devices.

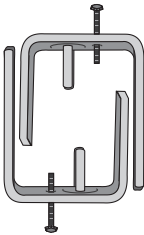
Contents of delivery CUW Oil protector



CUW Oil protector,
according to your requirements



Supporting feet,
2 units



**Supporting feet
with locking screw,**
2 units

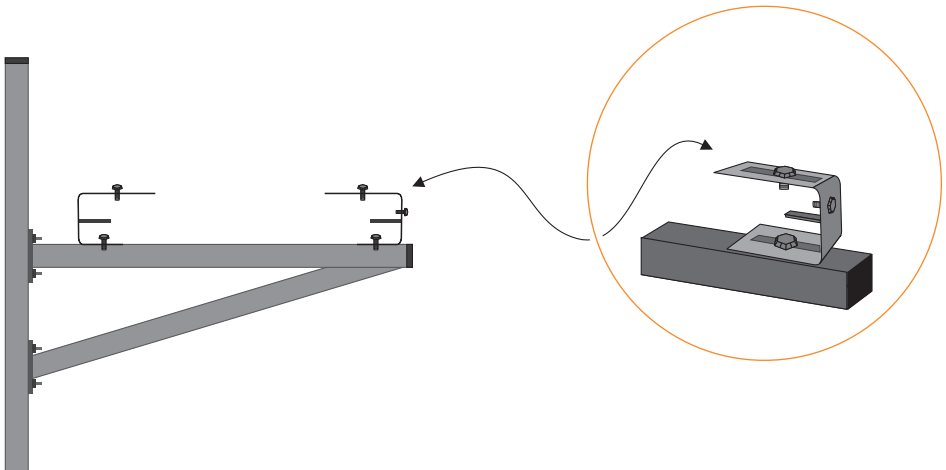
Note:

Check delivery for completeness.

Installation instruction CUW Oil protector in connection with wall bracket

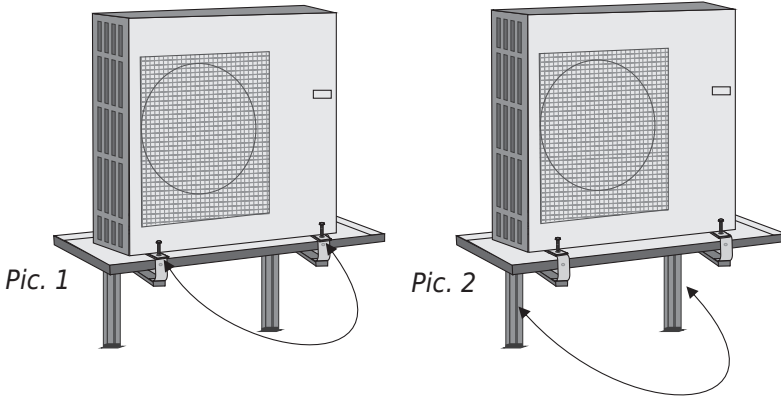
Note:

- Choose appropriate mounting material suitable to wall composition!
- Mount wall bracket on suitable building structures only!
- Be sure not to drill and fit rawplugs close to supply lines.
- Properly mount wall bracket to support weight of CUW Oil protector.
- Make sure there is no transfer of vibration to wall. Install isolation if necessary.



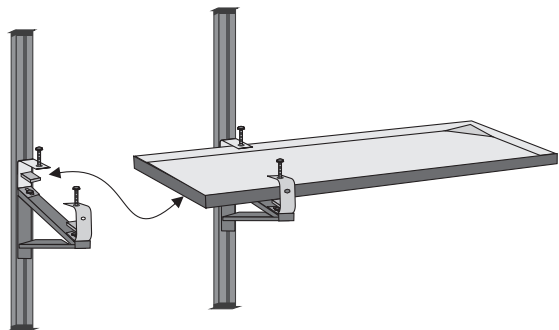
Installation

Install the wall bracket with appropriate mounting material on a self supporting wall. Allow for adequate ground clearance (above snow line) as well as side clearance (depending on type of device) on left and right wall brackets.



Observe the relevant clearance of supporting feet (Picture 1) for left and right wall brackets (Picture 2).

Use dimensions of device to determine clearance. Tighten the screws lightly at first to allow adjustment.



Set up

Move CUW Oil protector to its final position between pre assembled supporting feet.

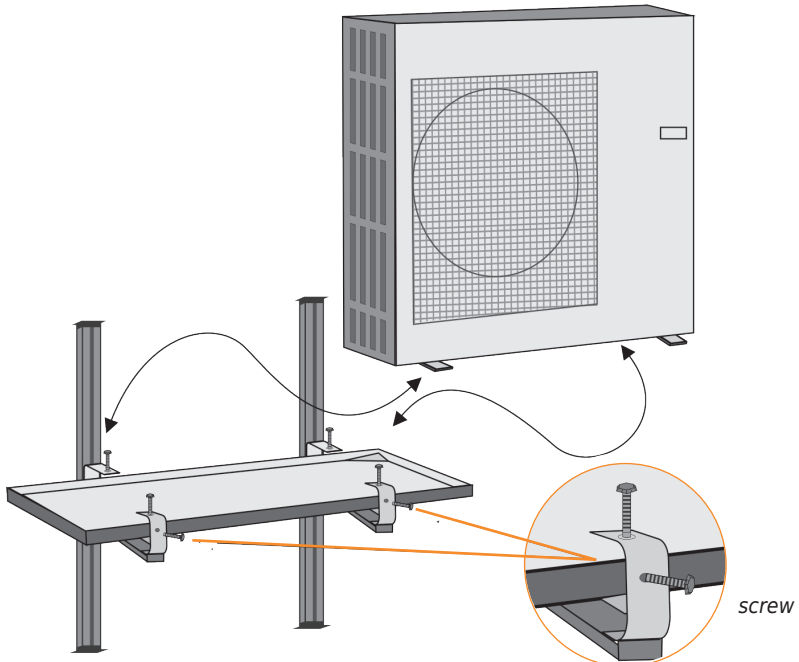
Put up

Install device with vibration dampers onto adjusted supporting feet and tighten screws.

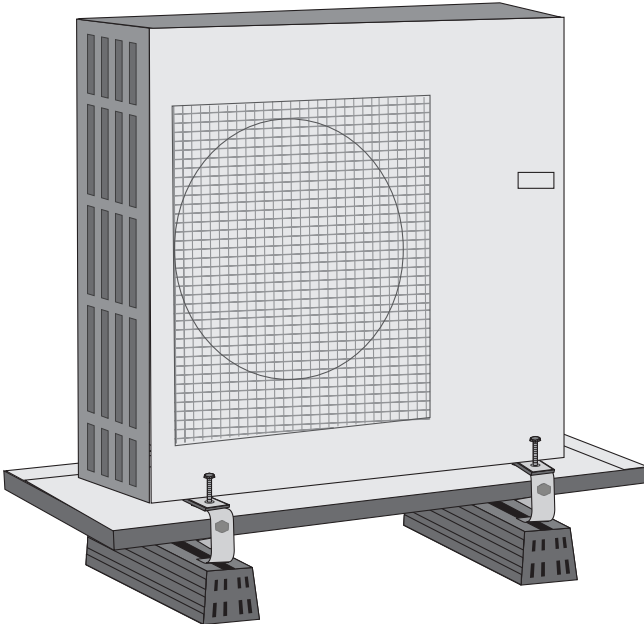
Put additional screws (included in delivery) into supporting feet and tighten. Tightening the screws will hold the CUW Oil protector in place.

Note:

Make sure the oil separator is not covered by the unit and rain water can reach the pan.



Installation instruction CUW Oil protector in connection with floor brackets



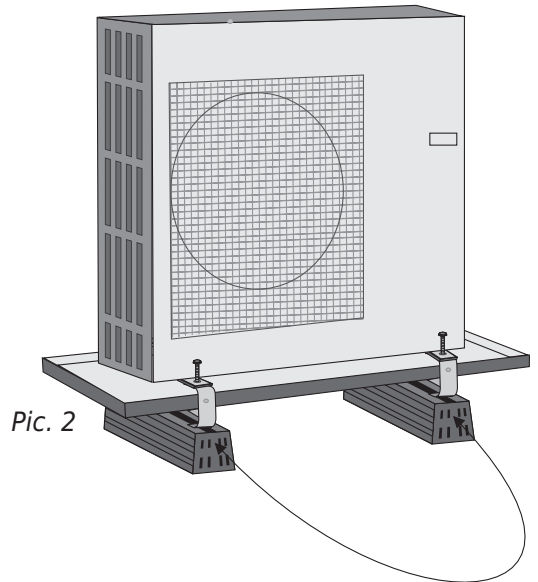
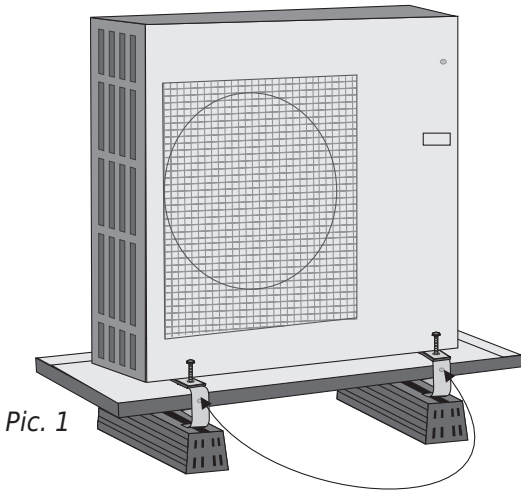
Note:

Make sure to use a stable floor surface. Suitable ground consists of 2 foundation strips (10 cm) or paved floor. We recommend gravel to be put between ground brackets.

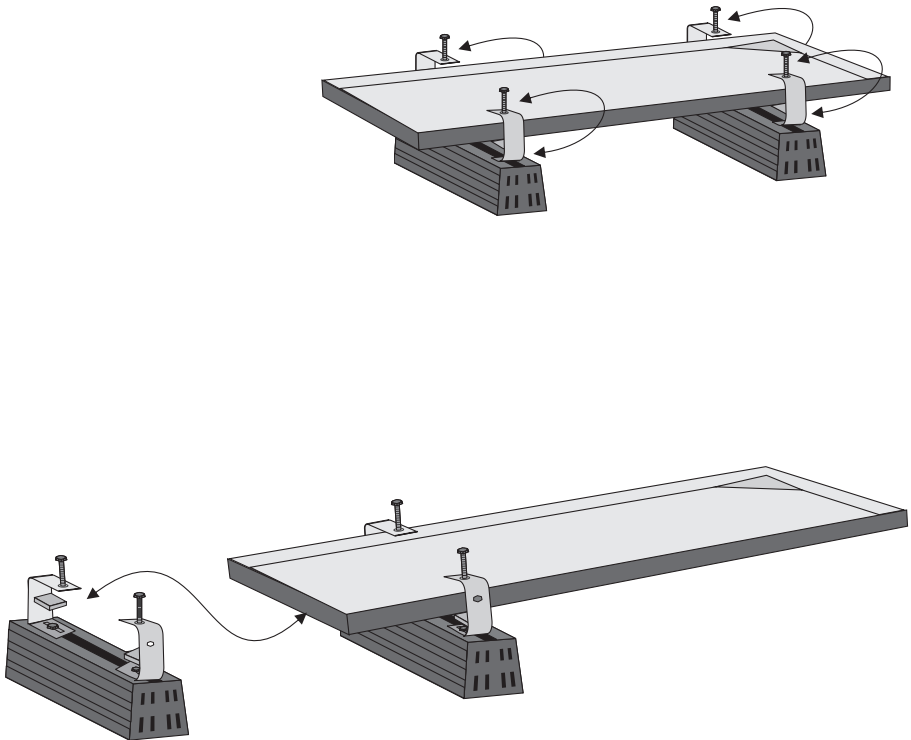
If necessary anchor the ground brackets to the floor to avoid tilting. Insertion of tubing for cooling agent and electricity is only possible from the left or right hand side as well as from the back but NOT from below!

Ground quality

The ground must be level and flat. Observe the relevant clearance of supporting feet (Picture 1) for left and right ground brackets (Picture 2).



Use dimensions of device to determine clearance of ground brackets. Tighten the screws lightly at first to allow adjustment.

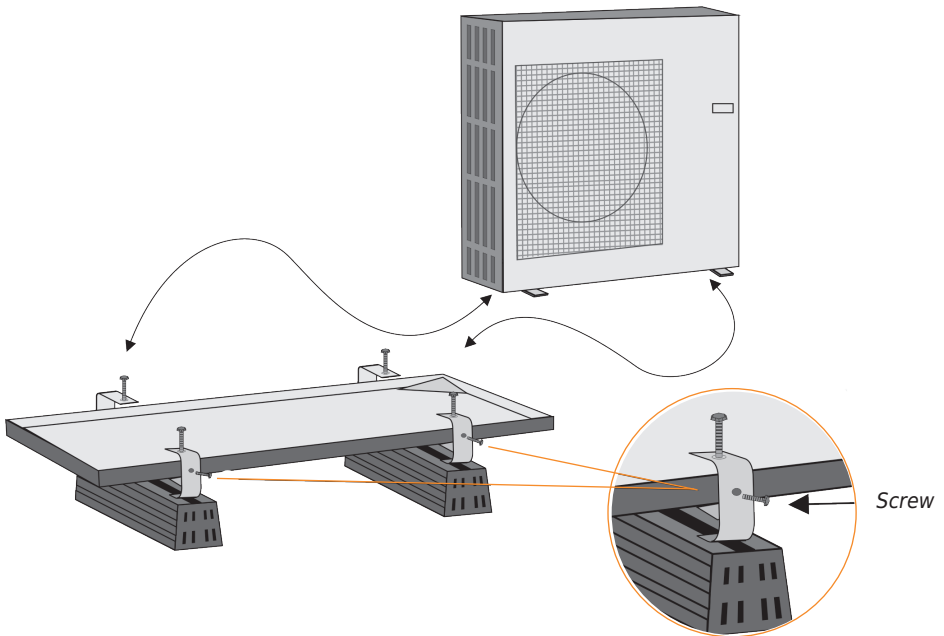


Set up

Move CUW Oil protector into its final position between pre assembled supporting feet.

Put up

Install device on vibration dampers onto adjusted supporting feet and tighten screws.



Put additional screws (included in delivery) into supporting feet and tighten. Tightening the screws will hold the CUW Oil protector in place.

Service & maintenance, warning notices and leakages

Service & maintenance

When servicing the unit in regular intervals, always check and clean the CUW Oil protector. Leaves and other contaminants can compromise the oil separator's performance.

The oil separator can be rinsed via the water drainage.

Warning notices

Avoid bi-metal corrosion by keeping other metal parts separate from CUW Oil protector.

Leakages

If you detect traces of water hazardous substances in the CUW Oil protector immediately cease operation of unit. Check for leakage of unit. Dispose of all water hazardous material professionally.

Please note: Some cleaning agents will dissolve oil in water. If you use this kind of cleaner make sure to rinse protector until completely clear of cleaning agent leaving no traces behind.

Note:

For any questions regarding assembly, implementation or service please contact our

Service telephone at: +49 5921 71347-0.

**Gewässer
Umwelt
Schutz**

GmbH



Lise-Meitner-Straße 14
D-48529 Nordhorn

T: +49 5921 71347-0

F: +49 5921 71347-29

info@oelprotektor.de

Ölprotektor.de

