

# WIZ MINI SPLIT SMART BRACKETS - WZ100



## PRODUCT DATA SHEET

### Descriptions

**WIZ MINI SPLIT SMART BRACKETS** is an easy-to-use tool designed to install mini split internal units. Safe and reliable brackets able to hold evaporators up to 30KBTUs while the technician makes the necessary electrical, refrigeration line sets and condensate drain hoses connections.

Extra resistant solid cast iron parts with springs able to adapt to the most common ranges of internal mini split units.

**WIZ MINI SPLIT SMART BRACKETS** provides an angle ranging from 23 to 45 degrees, allowing great access for installation and servicing.

### Applications

Designed to support mini split internal units up to 30 KBTUs.

### Details

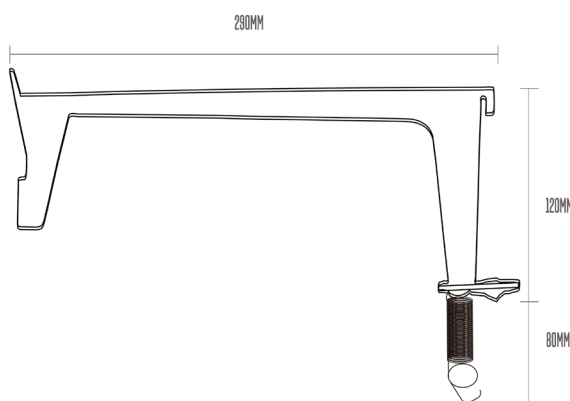
**Springs** Material: electro-zinc-coated steel

**Brackets** Material: iron with electrostatic-painting coat

#### Bracket Load

**IMPORTANT:** The brackets have a far superior load capacity compared to average air conditioning mounting plates. Please make sure to fasten the mounting plates on the wall and ensure its firmness before using the WIZ Smart Brackets.

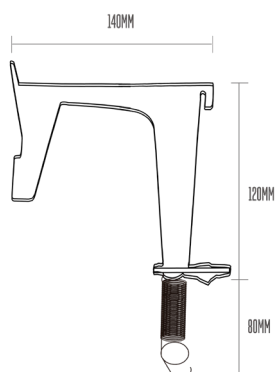
### Parts



PART A

PART A	height	length	width	load
mm	120	290	65	~ 50KG

SPRING:  
Øfio 1,60mm Øext 21,70mm LO - 80,0mm



PART B

PART B	height	length	width	load
mm	120	140	65	~ 100kg

SPRING:  
Øfio 1,60mm Øext 21,70mm LO - 80,0mm

## KEY FEATURES

**Adapts to most mounting wall plates**

**Light-weight**

**Easy Installation**

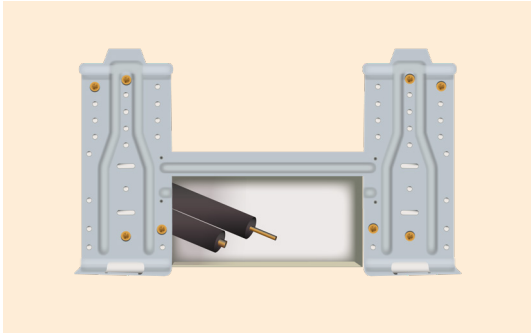
**Supports up to 30 KBTUs evaporators.**

**PATENT PENDING**

# WIZ MINI SPLIT SMART BRACKETS - WZ100



## How to Use



**1**

Firmly secure the mounting plate on the wall. All screws must be fastened and the mounting plate must be correctly aligned.



**2**

Place the SMALL Bracket in the superior RIGHT hook of the plate (from viewer's position), and secure the spring on the bottom hook of the plate.



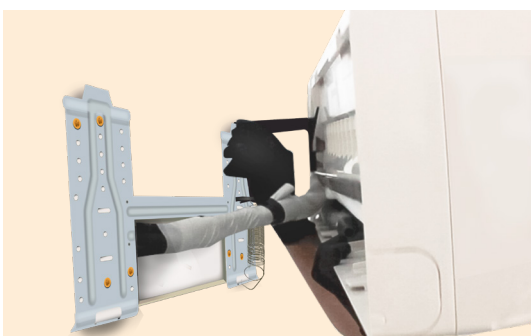
**3**

Place the LARGE Bracket in the superior LEFT hook of the plate (from viewer's position), and secure the spring on the bottom hook of the plate.



**4**

After checking WIZ Brackets are firmly fastened, hook the evaporator unit to the WIZ brackets, using the unit's proper housing grooves.



**5**

**TO REMOVE:**  
Holding the unit with one hand, remove the WIZ Brackets with the other hand, and secure the unit to the mounting place.

## SAFETY INFO

**Use the proper Personal Protective Equipment (PPE) recommended for HVAC-R.**

**Protective gloves are recommended.**

**Don't use WIZ BRACKETS for units beyond 30KBTUs or 30Kgs/66lbs.**

**Keep in dry place and away from children.**

**Keep WIZ BRACKETS clean for extended durability.**



**CIMPORT**  
Made in Brazil

[cimport.com](http://cimport.com) | [spintools.com](http://spintools.com)