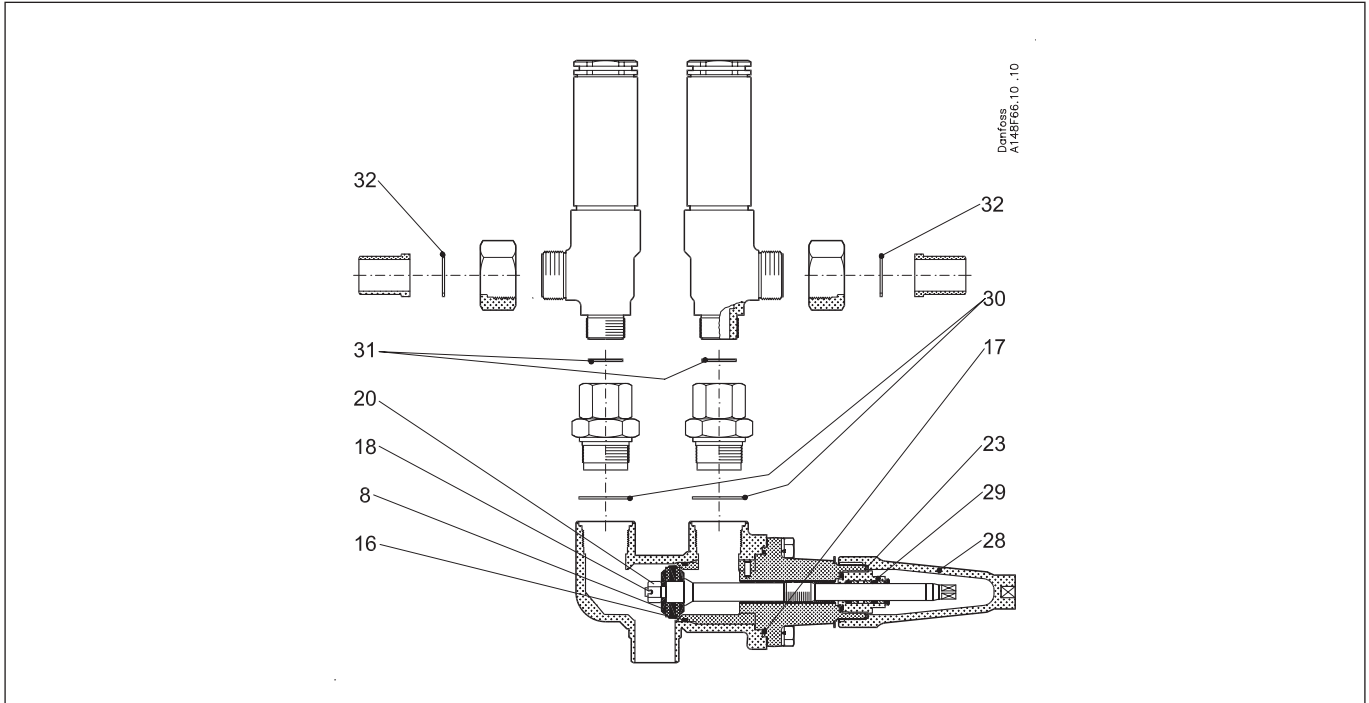


Data sheet – Spare parts and accessories

Change-over valve Type DSV 1, size 25 (1 in.)



Description	Pos. #	Qty.	Code no.
Spare part kit, for bonnet and cap (installation kit)			
O-ring for seat	16	1	148F3022
O-ring for housing/bonnet	17	1	
Gasket for cap	23	1	

Dismounting kit			
Gasket for reducer SFV 15/DSV 1	30	1	148F3029
Gasket for reducer SFV 15/DSV 1	31	1	
Gasket for nipple SFV 15/DSV 1	32	1	

Repair kit, complete set of gaskets			
Gasket for cone	8	2	148F3024
O-ring for seat	16	1	
O-ring for housing/bonnet	17	1	
Lock pin	18	1	
Slotted nut	20	1	
Gasket for cap	23	1	
Packing gland incl. gaskets	29	1	
Gasket for reducer SFV 15/DSV 1	30	2	
Gasket for reducer SFV 15/DSV 1	31	2	
Gasket for nipple SFV 15/DSV 1	32	2	

Description	Pos. #	Qty.	Code no.
Cap incl. gasket			
Cap incl. gasket	23,28	1	148B4076
Grease			
Grease for packing gland (tube)	-	1	148H3445

Danfoss A/S

Climate Solutions • danfoss.com • +45 7488 2222

Any information, including, but not limited to information on selection of product, its application or use, product design, weight, dimensions, capacity or any other technical data in product manuals, catalogues descriptions, advertisements, etc. and whether made available in writing, orally, electronically, online or via download, shall be considered informative, and is only binding if and to the extent, explicit reference is made in a quotation or order confirmation. Danfoss cannot accept any responsibility for possible errors in catalogues, brochures, videos and other material. Danfoss reserves the right to alter its products without notice. This also applies to products ordered but not delivered provided that such alterations can be made without changes to form, fit or function of the product.

All trademarks in this material are property of Danfoss A/S or Danfoss group companies. Danfoss and the Danfoss logo are trademarks of Danfoss A/S. All rights reserved.