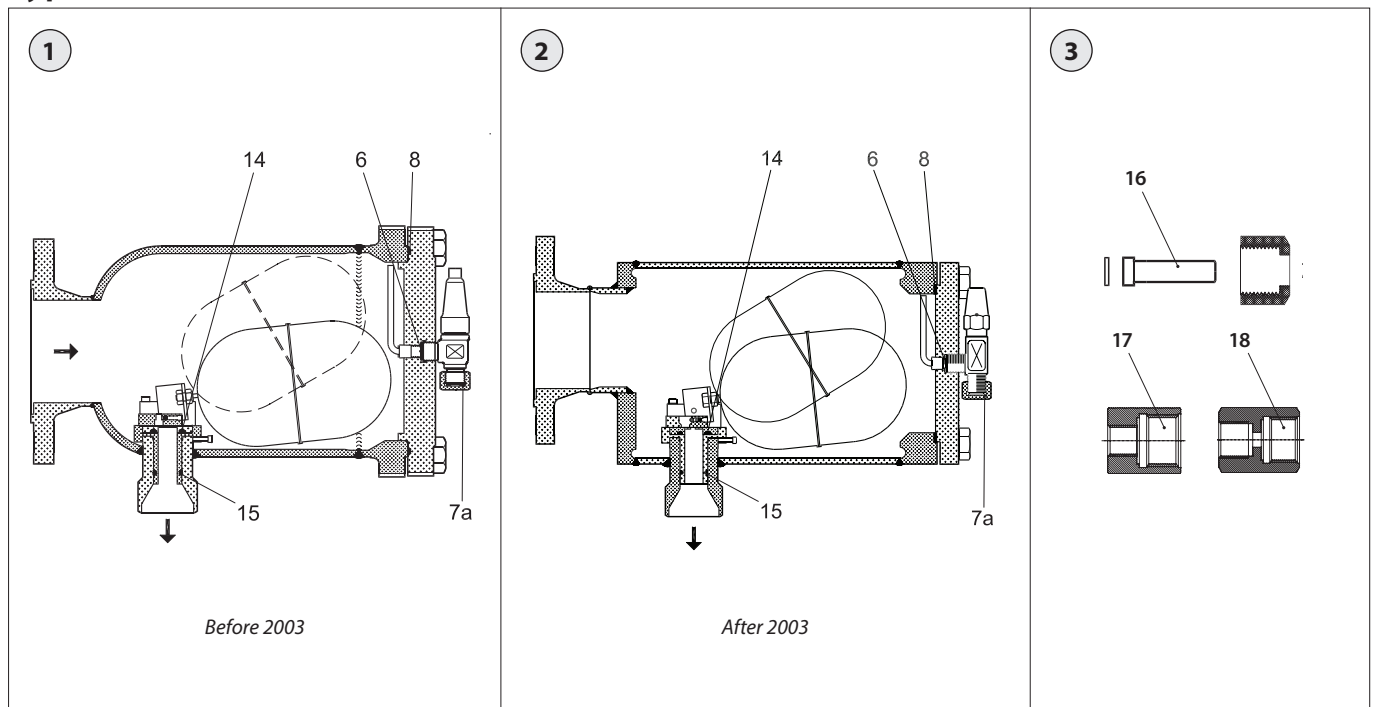


Data sheet – Spare parts and accessories

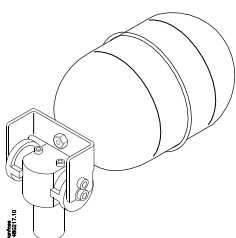
Float valve
Type HFI



Description	Type of nozzle (nominal capacity)	Pos. #	Qty.	Code no.
Repair kit, complete set of gaskets				
Gasket	040	6	1	2453+094
Gasket		7a	1	
O-ring for housing/end cover (Before 2003)		8	1	
Gasket for housing/end cover (After 2003)		8	1	
O-ring		14	1	
O-ring	15	1		
Repair kit, complete set of gaskets				
Gasket	050	6	1	2453+094
Gasket		7a	1	
O-ring for housing/end cover (Before 2003)		8	1	
Gasket for housing/end cover (After 2003)		8	1	
O-ring		14	1	
O-ring	15	1		
Repair kit, complete set of gaskets				
Gasket	060	6	1	2453+094
Gasket		7a	1	
O-ring for housing/end cover (Before 2003)		8	1	
Gasket for housing/end cover (After 2003)		8	1	
O-ring		14	1	
O-ring	15	1		
Repair kit, complete set of gaskets				
Gasket	070	6	1	2453+094
Gasket		7a	1	
O-ring for housing/end cover (Before 2003)		8	1	
Gasket for housing/end cover (After 2003)		8	1	
O-ring		14	1	
O-ring	15	1		

Description	Type of nozzle (nominal capacity)	Pos. #	Qty.	Code no.
Complete renewal kit*				
Gasket	040	6	1	148G3661
Gasket		7a	1	
O-ring for housing/end cover (Before 2003)		8	1	
Gasket for housing/end cover (After 2003)		8	1	
Complete insert including the float ball (R717)		-	1	
Gasket	050	6	1	148G3662
Gasket		7a	1	
O-ring for housing/end cover (Before 2003)		8	1	
Gasket for housing/end cover (After 2003)		8	1	
Complete insert including the float ball (R717)	-	1		
Gasket	060	6	1	148G3663
Gasket		7a	1	
O-ring for housing/end cover (Before 2003)		8	1	
Gasket for housing/end cover (After 2003)		8	1	
Complete insert including the float ball (R717)	-	1		
Gasket	070	6	1	148G3584
Gasket		7a	1	
O-ring for housing/end cover (Before 2003)		8	1	
Gasket for housing/end cover (After 2003)		8	1	
Complete insert including the float ball (R717)	-	1		
Welding nipple - G½-ND6				
Welding nipple including aluminium gasket	-	16	2	148B4184
Aluminium gaskets included - ¼" FPT - ½" G	-	17	1	148B3860
Aluminium gaskets included - ¾" G - ½" G	-	18	1	148B3861

* The float mechanism is assembled and adjusted from factory



HFI insert after 2006